

MOTIONBLINDS MANUAL

Setup guide

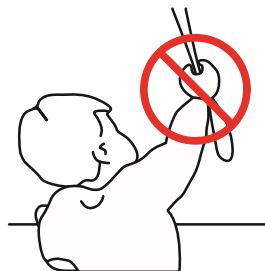
**ROMAN AND
HONEYCOMB SHADES
MOTOR CM-08**

MOTIONBLINDS



WARNING

Read the instructions carefully before assembling and using the product. Assembly can be completed by non-professionals. For indoor use only.



- Young children can strangle themselves with the loop of pull cords, chains and tapes, and cords that operate window coverings.
- To avoid strangulation and entanglement, keep cords out of reach of young children.

- Cords may ensnare a child's neck.
- Move beds, cots and furniture away from window covering cords.
- Do not tie cords together.
- Make sure cords do not twist together and form a loop.

2

Cleaning

Follow these general rules when cleaning the outside of the device and its components:

Use a damp, soft, lint-free cloth. Avoid getting moisture in openings.

Do not use aerosol sprays, solvents, alcohol, or abrasives.

Service & Support

Do not perform repairs yourself. Do not attempt to open the device or disassemble it. You run the risk of electric shock and voiding the limited warranty.

No user-serviceable parts are inside.

Warranty Service

First follow the advice in this manual. If the product appears to be damaged or does not function properly,

go to your local dealer for instructions on how to obtain warranty service.

Recycle

This marking indicates that this product should not be disposed with other household wastes throughout the EU. To prevent possible harm to the environment or human health from uncontrolled waste disposal, recycle it responsibly to promote the sustainable reuse of material resources. To return your used device, please use the return and collection systems or contact the retailer where the product was purchased. They can take this product for environmental safe recycling.



IP 20



Conforms to
UL Std. 325
Certified to
CSA
C22.2#247
Std.

Important Safety instructions

WARNING: To reduce the risk of severe injury or death, it is important to follow these instructions for personal safety. Save these instructions.

- Read and follow all installation instructions.
- This appliance can be used by children aged 8 years and above and persons with reduced physical, sensory or mental capabilities or lack of experience and knowledge if they have been given supervision or instruction concerning use of the appliance in a safe way and understand the hazards involved. Children should not play with the appliance. Cleaning and user maintenance should not be performed by children without supervision.
- Do not allow children to play with fixed controls. Keep remote controls away from children.
- Frequently examine the installation for imbalance and signs of wear or damage to cables and springs. Do not use if repair or adjustment is necessary.
- This instruction manual is also available on the website.
- The drive must be disconnected from its power source during cleaning, maintenance and when replacing parts.
- The A-weighted emission sound pressure level of the drive is equal to or less than 70dB(A).
- Indoor and household use only.
- Disconnect the drive from the power supply or switch off the automatic controls when maintenance, such as window cleaning, is being carried out in the vicinity.
- When operating a biased switch, make sure that other persons are kept away.
- Do not operate when maintenance, such as window cleaning, is being carried out in the vicinity.
- The tube motor must only be supplied with safety extra low voltage corresponding to the marking on the appliance.

Important Installation instructions

WARNING: Important safety instructions. Follow all instructions, since incorrect installation can lead to severe injury.

- This motor can only be used with soft material for driven parts.
- Hazardous unprotected moving parts of the drive must be installed higher than 2.5m above the floor or any other level surface that could provide access to it.
- Install the actuating member of a manual release at a height less than 1.8m.
- The actuating member of a biased switch is to be located within direct sight of the driven part but away from moving parts. It is to be installed at a minimum height of 1.5m and not accessible to the public.
- The mass and the dimension of the driven part must be compatible with the rated torque and rated operating time.
- Fixed controls have to be clearly visible after installation.
- The driven part must be compatible with the rated torque CM-08 0.6N.m and rated operating time (12 min).

The drive is intended to be installed at a height of at least 2.5m above the floor or any other accessible level surface.

- All-pole disconnection switches must be incorporated in the fixed wiring in accordance with the wiring rules.

- The appliance must only be supplied at safety extra low voltage corresponding to the marking on the appliance.

Before installing the drive, remove any unnecessary cords or components and disable any equipment not needed for powered operation.

FCC Manual FCC ID:

ZY4CMD08B

Regulatory Information

1 FCC Information for User

This product does not contain any user serviceable components and is to be used with approved antennas only. Any product changes or modifications will invalidate all applicable regulatory certifications and approvals.

2 FCC Electronic Emission Notices

This device complies with part 15 of the FCC Rules. Operation is subject to the following two conditions:

1. This device may not cause harmful interference
2. This device must accept any interference received, including interference that may cause undesired operation.

Frequency range: 433 MHz, RF power: 2.32 dBm
Frequency range BLE: 2402 - 2480 MHz, RF power: 3 dBm EIRP

3 FCC Radio Frequency Interference statement

This equipment has been tested and found to comply with the limits for a class B digital device, pursuant to Part 15 of the FCC Rules. These limits

- 4 are designed to provide reasonable protection against harmful interference when the equipment is operated in a commercial environment.

This equipment generates, uses and can radiate radio frequency energy and, if not installed and used in accordance with the instructions, may cause harmful interference to radio communications.

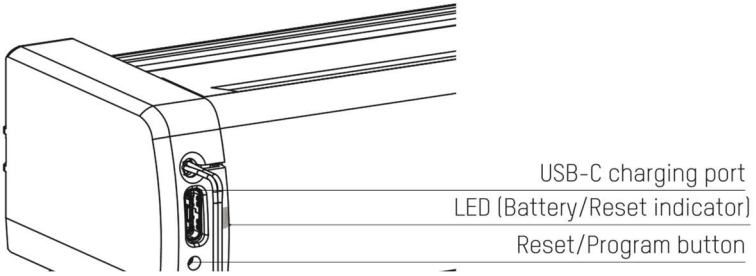
Operation of this equipment in a residential area may cause harmful interference, in which case the user will be required to correct the interference at their own expense. If this equipment does cause harmful interference to radio or television reception, which can be determined by turning the equipment off and on, the user is encouraged to try to correct the interference by one or more of the following measures:

- Reorient or relocate the receiving antenna
- Increase the distance separating the equipment and receiver
- Connect the equipment to an outlet on a circuit different from that to which the receiver is connected
- Consult the dealer or an experienced radio/TV technician for help

EU Declaration

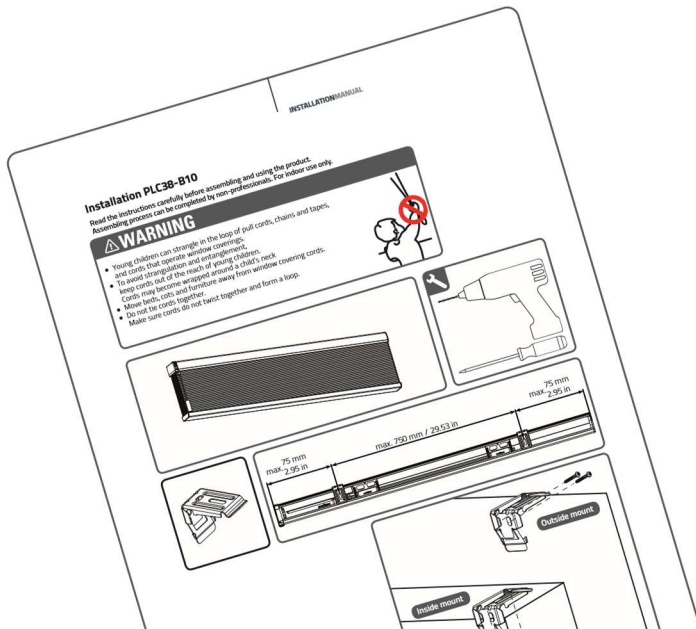
Hereby, Coulisse declares that the radio equipment type CM-08 is in compliance with directive 2014/53/EU. The full text of the EU declaration of conformity is available at the following internet address: www.my.coulisse.com

Buttons and functions



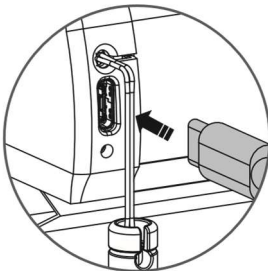
Install the blind

Follow the steps in the installation instructions to install the blind.



2 Activate the blind

To activate the blind, connect it to a standard USB-C 5V power supply via a USB-C cable. This can be your iPhone's power adapter, for example.



Download the MotionBlinds bluetooth app

Download the Motion Blinds bluetooth app from the App Store.



App Store
Download the
MotionBlinds
Bluetooth app
rtube.nl/red1614



Google Play
Download the
MotionBlinds
Bluetooth app
rtube.nl/red1615



4 Setup the blind

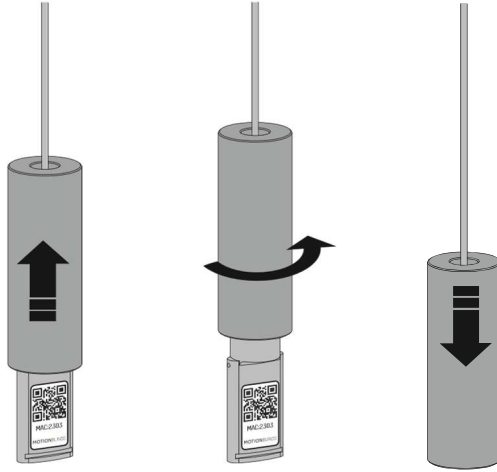
Open the MotionBlinds bluetooth app and tap the + sign. The app will now guide you through the setup process.



The end positions of the blind, top and bottom, are pre-programmed. These can be adjusted in the app.

Hide the MotionBlinds Setup Code

Slide the tassel up and rotate a quarter turn to hide the MotionBlinds Setup Code into the tassel.





6

Adjustments

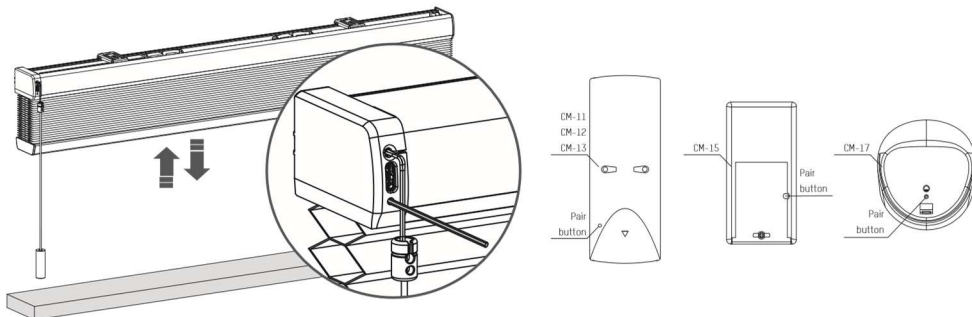
Change bottom positions :

If the blinds end positions are incorrect please open the settings of the blind and adjust the bottom position.



Pair a remote control

- 1 Select a channel on the remote and press the program button on the motor to activate program mode. The blind will start stepping up and down.



- 2 Press the pair button on the back of the remote control to pair the blind with the selected channel. The blind will shortly stop stepping, indicating that the remote has been paired to the blind.
- 3 Shortly press the program button to deactivate program mode. The blind stops stepping and can be operated.



Pair with a bridge

With the MotionBlinds bridge you can unlock more options, such as voice assistants and the ability to control your blinds when you are not at home.



App Store
Download the
MotionBlinds
Wi-Fi
rtube.nl/red981



Google Play
Download the
MotionBlinds
Wi-Fi app
rtube.nl/red982

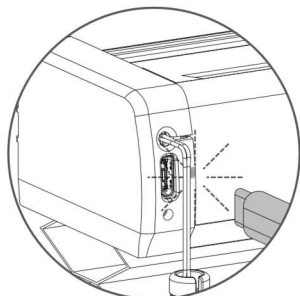
app



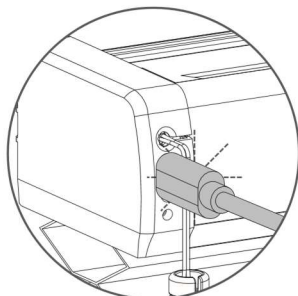


Recharge the blind

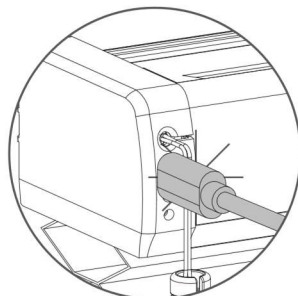
To charge the blind, connect it to a standard USB-C 5V power supply via a USB-C cable. This can be your iPhone's power adapter, for example.



LED light flashes
red during operation;
Charge the battery



LED light flashes
green;
battery is charging



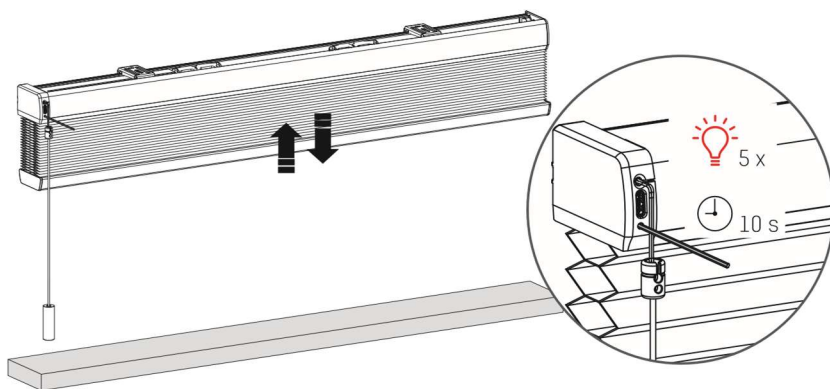
LED light constantly
green;
battery is fully charged

10



Reset the connection

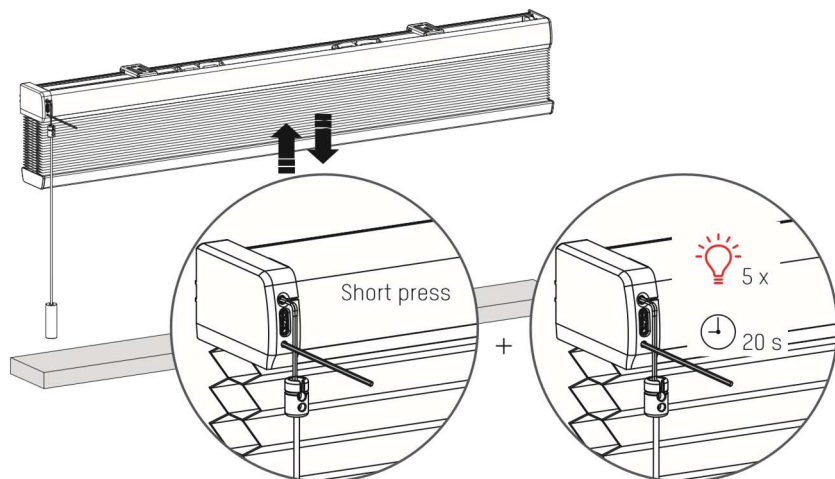
Hold the program button for 10 seconds to delete the connection between the blind and the app. The LED lights up 5 times and the blind steps up and down 1 time to indicate that the connection is reset. Now the blind can be reconnected.





Reset the blind

Resetting the blind results in deleting the end positions and connections of the blind with apps and remote controls. Shortly press the program button to activate program mode. The blind will start stepping up and down. Hold the reset/program button for at least 20 seconds to reset the blind. The blind will stop stepping twice. After the second stop, the blind will give one extra step to indicate that it has been reset.

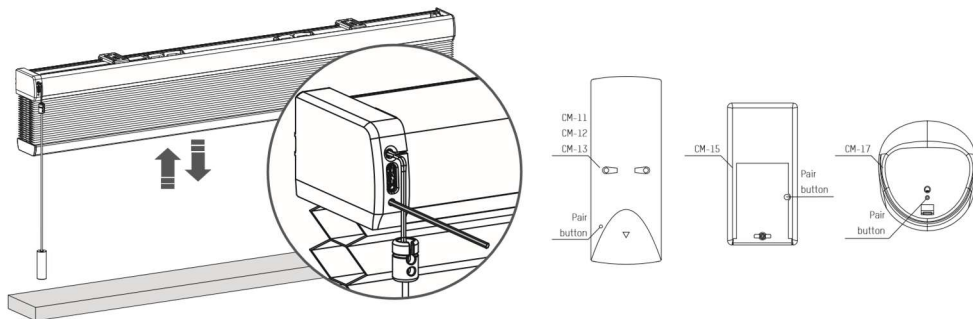


Remote programming

Pair a remote control

Any MOTION Blinds remote can be connected to your blind.

- 1 Select a channel on the remote and press the program button on the motor to activate program mode. The blind will start stepping up and down.

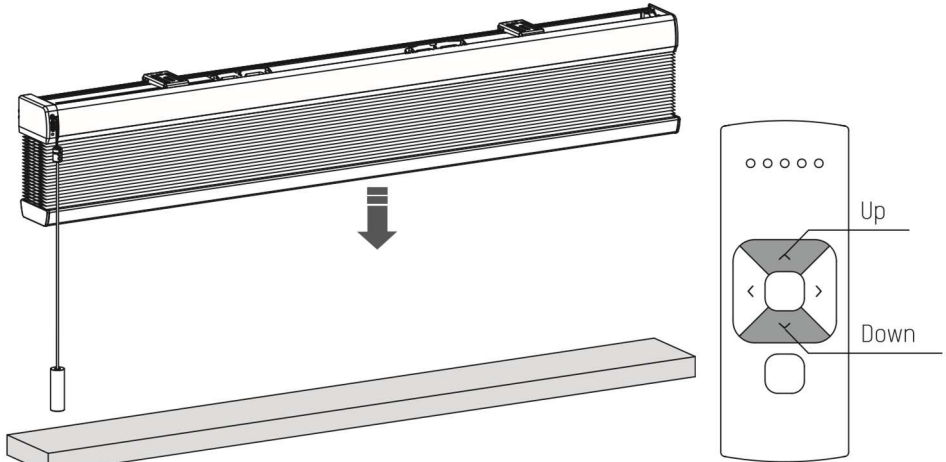


- 2 Press the pair button on the back of the remote control to pair the blind with the selected channel. The blind will shortly stop stepping, indicating that the remote has been paired to the blind.
- 3 Shortly press the program button to deactivate program mode. The blind stops stepping and can be operated.

2 Check rotational direction

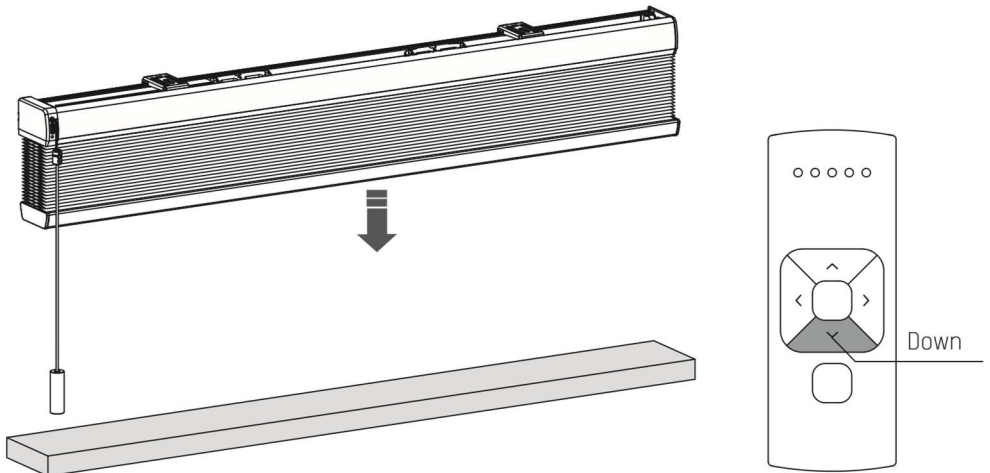
! WARNING: risk of damage. Stop the blind before reaching the end positions.

- 1 Shortly press the down button to check if the blind unrolls the right way. If the blind moves up, the rotational direction must be changed.
- 2 Simultaneously press the up and down button to change the rotational direction.



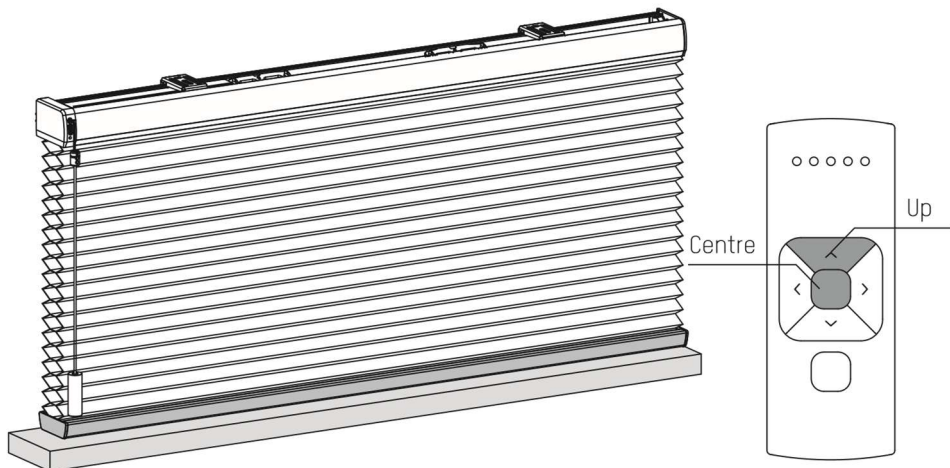
Set bottom position

Press and hold the down button until the blind reaches the desired bottom position. **WARNING: risk of damage.** Slowly approach the bottom position.



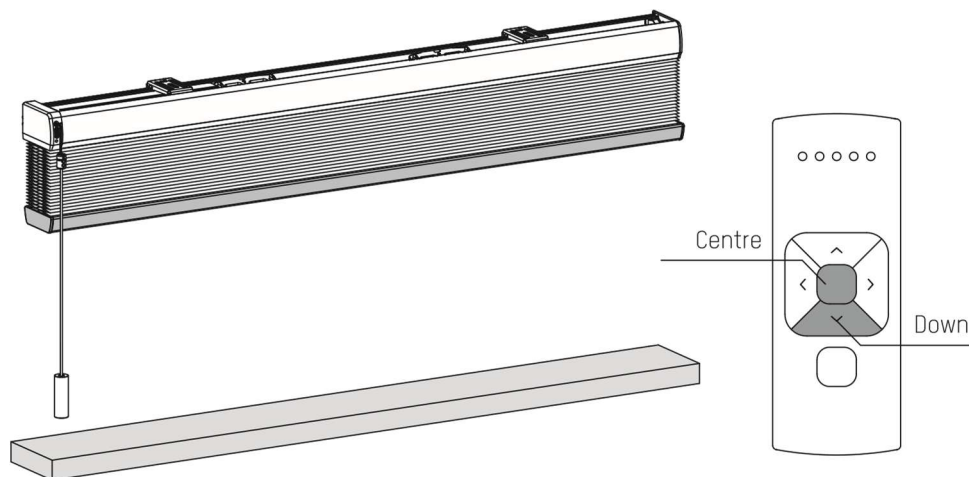
4 Save bottom position

Simultaneously hold the centre and the up button until the blind stops stepping and starts stepping again.
The bottom position has been saved.

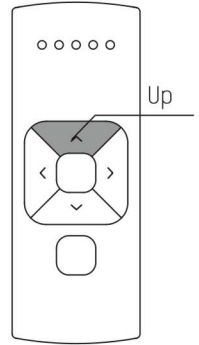
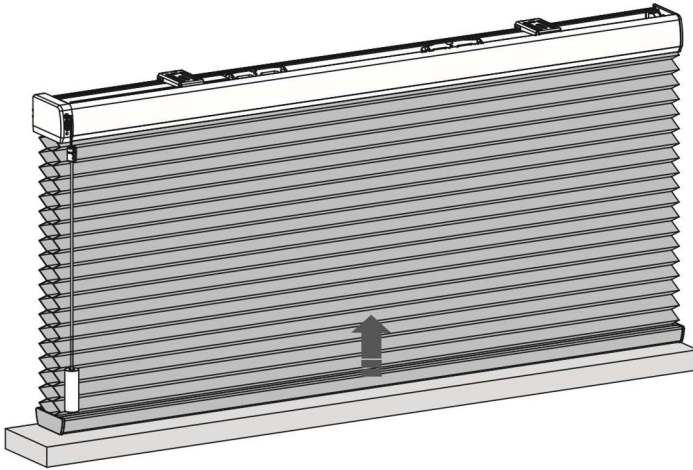


Set top position

Press and hold the up button until the blind reaches the desired bottom position. **WARNING:** risk of damage.



Slowly approach the top position.

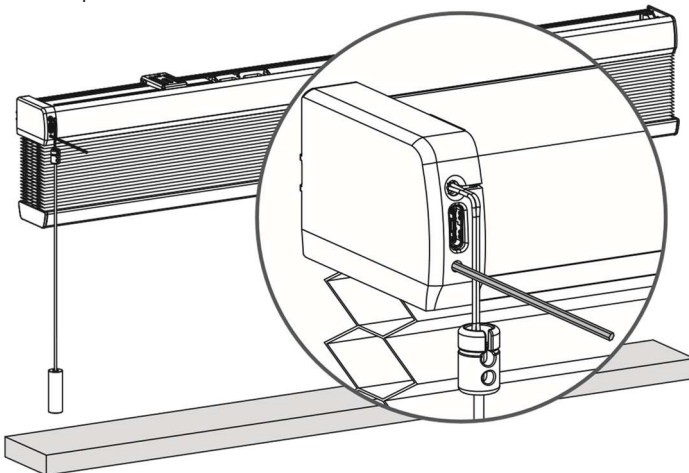


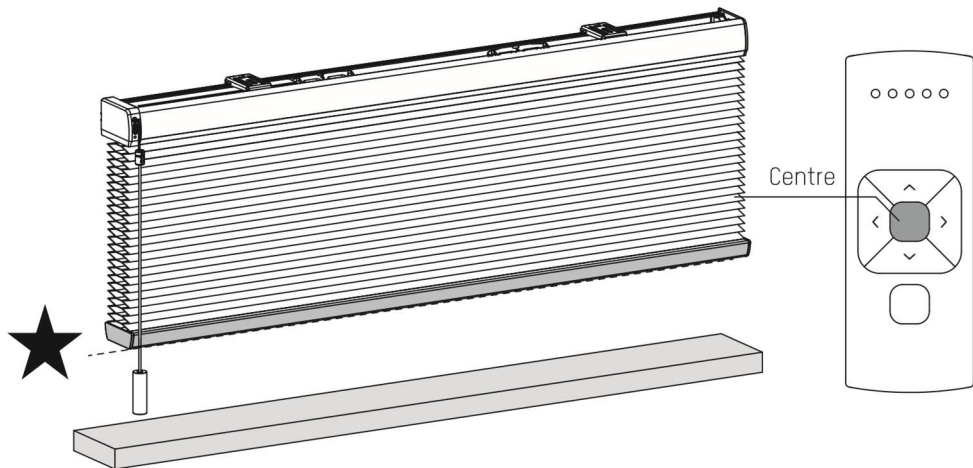
6 Save top position

Simultaneously hold the centre and the down button until the blind stops stepping and starts stepping again. The top position has been saved.

Set favorite position (optional)

- 1 Move the blind to a desired favourite position.
- 2 Hold the centre button to save this Favourite position. The blind shortly stops stepping indicating the favourite position has been saved.





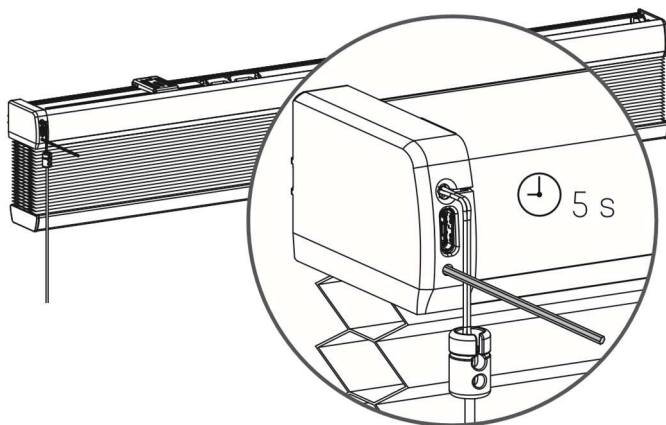
8 Deactivate program mode

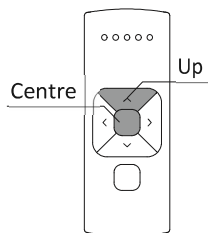
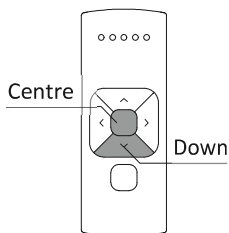
Shortly press the program button to deactivate program mode. The blind stops stepping and can be operated.

Deactivate direct control for remote control

When pressing the up or down button on the remote control, the blind directly moves to its end positions (direct control). To operate the blind with smaller steps using the up and down button, direct control can be deactivated. Now, the blind only directly moves to its end positions when the up or down button is held longer than two seconds.

- 1 Press the program button on the motor to activate program mode. The blind starts stepping.
- 2 Hold the program button until the blind stops stepping (approximately 5 seconds) to deactivate or reactivate direct control.

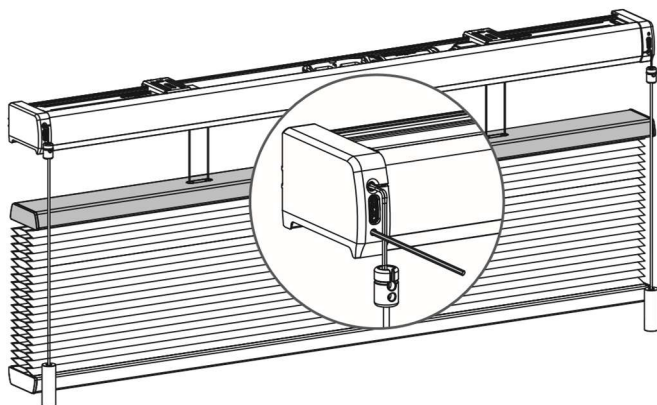




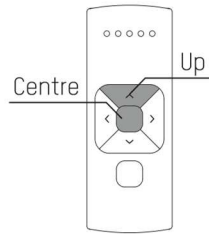
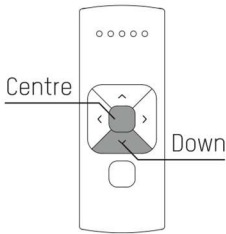
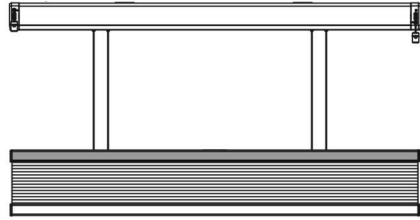
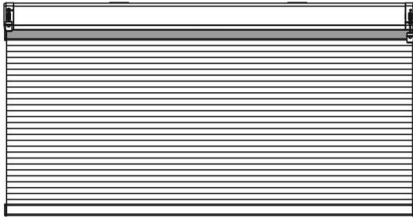
- 2** Check the direction of rotation of the bottom rail (see step 2) and move the bottom rail to the desired top position. Simultaneously hold the centre and the down button on the remote until the blind stops stepping and starts stepping again. The top position has been saved

- 3** Move the bottom rail to the desired bottom position. Program the bottom position of the bottom bar. Simultaneously hold the centre and the up button on the remote until the blind stops stepping and starts stepping again. The bottom position has been saved

Top-down/bottom-up (middle rail)



- 1** Pair the middle rail motor to an empty channel on the remote. (see step 1)

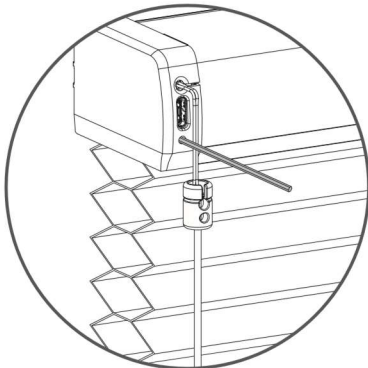


- 2** Check the direction of rotation of the middle rail (see step 2) and move the bottom rail to the desired top position. Simultaneously hold the centre and the down button on the remote until the blind stops stepping and starts stepping again. The top position has been saved
- 3** Move the middle rail to the desired bottom position. Program the bottom position of the bottom bar. Simultaneously hold the centre and the up button on the remote until the blind stops stepping and starts stepping again. The bottom position has been saved

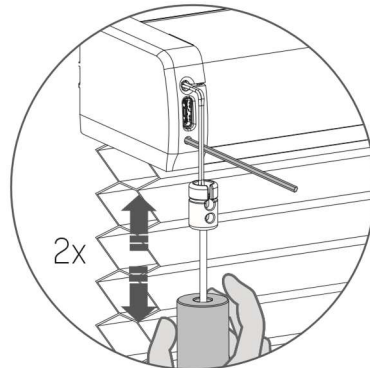
Activate / deactivate the motor (Transport mode)

To prevent the blind from getting damaged, the motor has a transport mode that makes sure the blind will not be activated before installation.

- 1** Hold the program button and pull twice to activate or deactivate the motor.



+



Problem	Cause	Solution
Blind does not work.	Motor is in transport mode.	Activate the motor. See page 2/22.
	Motor battery is empty.	Charge the motor. See page 10.
	Remote battery is empty. (LEDS of remote are flashing rapidly.)	Replace the battery in the remote. See the manual of the remote.
	Remote battery is inserted incorrectly.	Replace the battery in the remote. See the manual of the remote.
	Radio-frequency interference	Make sure that the antenna of the motor is out of the way of metal objects.
	The distance from the phone/bridge/remote to the motor is too far.	Move closer to the motor.
	The remote is not connected to the blind.	Pair the remote with the motor. See page 9.
Motor LED flashes red.	The battery of the motor is empty.	Charge the motor. See page 10.
Blind is not charging.	Charger is not plugged in or does not work.	Try a different charger or make sure the charger is plugged in the outlet.
Multiple blinds respond to a remote. (Unable to program a single blind)	Multiple blinds are paired with a single channel.	Pair the blind with a free channel to program or use single select to program the blind.
Blind moves in small steps.	1) No end limits are programmed. 2) Direct control is deactivated.	1) Program end limits. See page 7, 15-16. 2) Activate direct control. See page 18.
Favourite position can not be programmed.	No end limits are programmed.	Program end limits. See page 7, 14-15, 23-24.
Blind lowers too far.	End limits are programmed incorrectly.	Reprogram end limits. See step 7, 15-16.
Blind moves in the opposite direction.	The rotational direction has been set incorrectly.	Change the rotational direction. See page 14.
The blind keeps moving up and down.	The blind is in program mode.	Press the program button on the motor to exit program mode.
The blind firmware will not update to the latest version.	The blinds bluetooth connection is not stable.	1) Close the app and reconnect with your motor. 2) De-activate the motor and re-activate the motor and try to update again. See page 22

motionblinds.com