

INSTALLATION INSTRUCTIONS

SHEER SHADINGS

Continuous Loop Control | Cordless Lift | Retractable Wand | Automated

Please thoroughly review this instruction booklet and the enclosed packing list before beginning the installation. If your shading has a protective plastic cover on the fabric-covered headrail, keep the plastic in place until the shading is installed.

IMPORTANT for Automated Shades — Prior to installation, pair the remote to the motor using the instructions included with the remote.

For Automated DC Motors that require an external power source, such as an external battery, be sure to connect the motor to a power source before attempting operation. See instructions that accompany the power source for installation requirements. For motors with internal Li-Ion batteries, charge per directions that come with the motor and/or charger.

IMPORTANT for Retractable Wand — An orange shipping clip is installed in the headrail for the Retractable Wand shading. Please do not remove the clip until instructed to do so.

Tools and Fasteners Needed

- Flat blade and Phillips screwdrivers
- Level (laser level is recommended)
- Measuring tape and pencil
- Pliers
- Power drill, 3/32" drill bit, and 1/4" hex driver
- Scissors (heavy-duty)

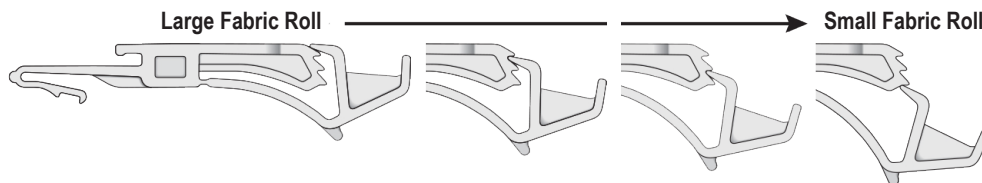
In addition, you will need fasteners designed to work with your specific mounting surface(s).

- **#6 Hex Head Screws (Provided).** Two 1 1/2" screws are provided per installation bracket.

- **Longer #6 Hex Head Screws (Not Provided).** If using spacer blocks, use #6 screws long enough for a secure attachment.
- **Speed Nuts and Screws (Provided).** Extension brackets come with screws and speed nuts.
- **Drywall Anchors (Not Provided).** Use drywall anchors when mounting into drywall.



Importance of Limit Stops



Limit stops serve as the upper travel limit for the bottom rail, preventing it from rotating around the fabric roll. Limit stops are located 6" from the ends of the headrail or are centered on shadings less than 36" wide.

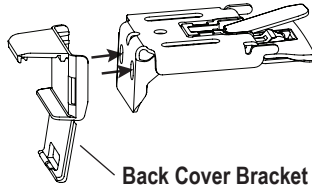
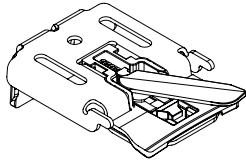
When a shading is made, the limit stops are adjusted according to the size of the fabric roll. Occasionally, this adjustment changes during shipping or installation. If this happens, problems can be fixed by readjusting the limit stops. See the Troubleshooting section if shading operation is difficult or if the bottom rail rotates around the fabric roll. Shown above are the four possible positions of limit stops for large to small fabric rolls.

Installation Overview

- Your order will include the correct number of installation brackets for your shading width, as shown in the table in Step 1.
- Shading orders may also include spacer blocks or extension brackets, if they were specified for added clearance.
- Extension brackets are used for end mount shadings, as well.
- **Two-On-One:** The appropriate number of brackets are provided for each panel.

INSTALLATION INSTRUCTIONS

1. Prepare the Installation Brackets



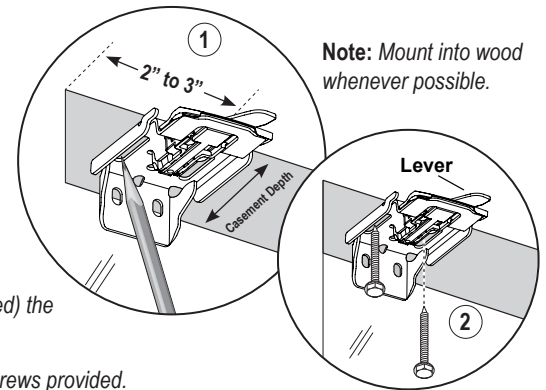
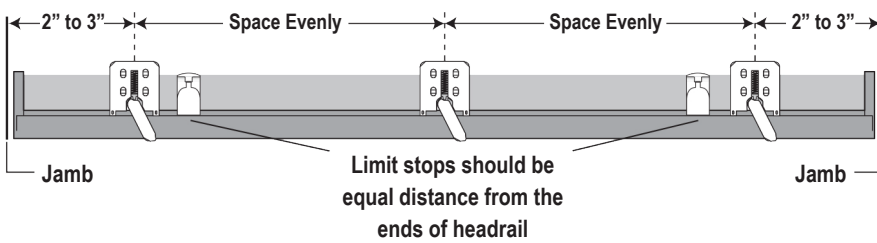
Back Cover Bracket

Shade Width	Brackets
14" to 36"	2
36-1/8" to 79"	3
79-1/8" to 96"	4
96 1/8" - 120"	5

If using the optional back cover: Snap the prongs on the back cover brackets into the holes on the back of the installation brackets. The back cover is used with inside mounts to conceal the open rear side of the headrail for a more pleasing exterior look. Use of the back cover adds 1/4" to minimum inside mounting. **Retractable Wand shadings** come with a shipping clip installed to keep the wand in place. Do not remove the clip until the headrail is installed.

2a. Mount the Brackets — Inside Mount

Decide whether the front or back set of installation bracket holes works best in your application. Mark the location of the screw holes.



IMPORTANT: Mounting the brackets level is essential for proper operation of the shade. Shim (not provided) the brackets, if necessary. Drill the screw holes using a 3/32" drill bit.

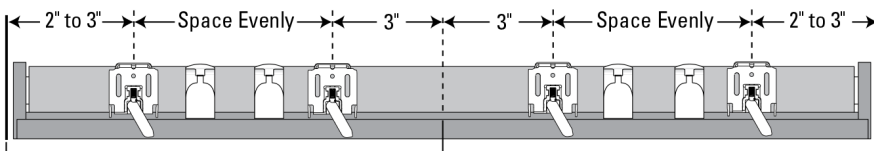
CAUTION: Use drywall anchors when mounting into drywall. • Attach the installation brackets using the screws provided.

IMPORTANT: Do not overtighten the screws. Check to ensure the lever can be moved easily side to side. If not, loosen the screws in one-eighth turn increments until the lever can be moved easily.

IMPORTANT: The front edges of the installation brackets must be level and aligned to each other.

WARNING: Failure to properly align the brackets could result in the headrail releasing from the brackets.

Two-On-One Headrail Shadings: Two additional installation brackets should be placed on each side of the panel split.



The minimum casement depth for installation brackets is 1". Mark and use the rear set of installation bracket holes with shallow mounting depths.

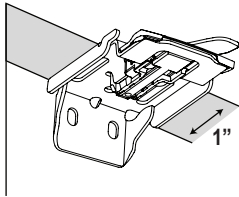
The minimum casement depth for a fully recessed mount is 3-5/16". Mark and use the front set of bracket holes when depth permits.

Note: Add 1/4" to the minimum depths if using the optional back cover. After installing the brackets, see **2b. Install the Back Cover**.

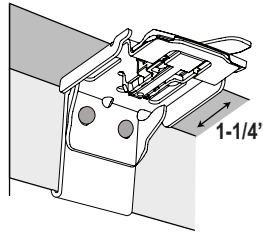
INSTALLATION INSTRUCTIONS

2b. Install the Back Cover (Optional for Inside Mount and End Mount)

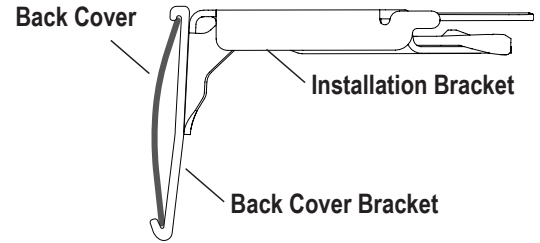
Minimum Inside Mounting Depth



Without Back Cover

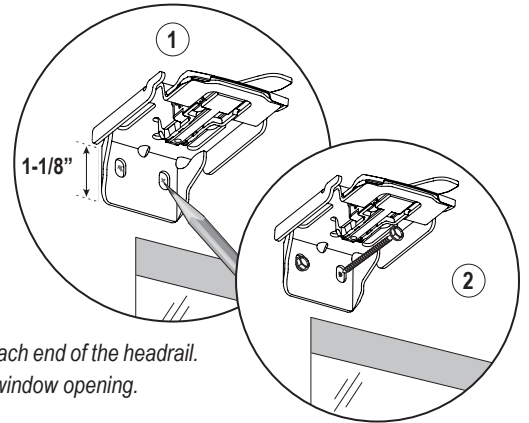
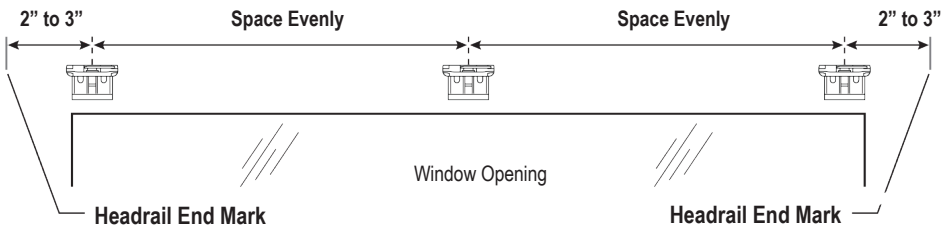


With Back Cover



The back cover is secured in place by the back cover bracket attached to the installation bracket. Back covers are used with inside and end mounts to conceal the open rear side of the headrail for a more pleasing exterior look. Use of the back cover adds 1/4" to minimum inside mounting.

3a. Mount the Brackets — Outside Mount



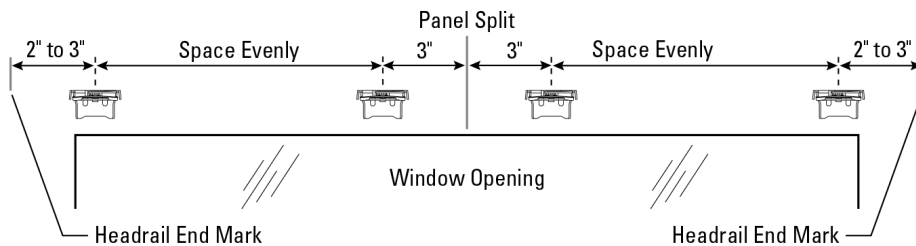
IMPORTANT: Center the headrail over the window opening at the desired height. Use a pencil to lightly mark each end of the headrail.

• Alternatively, measure the width of the headrail and use that width to mark the headrail end points over the window opening.

IMPORTANT: Mark 2" to 3" from each end of the headrail.

• If more than two installation brackets came with your order, space additional bracket(s) evenly between the two end brackets and mark their location. Mount into wood whenever possible.

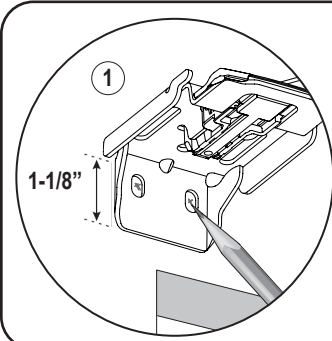
Two-On-One Headrail Shadings: Two additional installation brackets should be placed on each side of the panel split.



A minimum 1-1/8" flat vertical surface is required for the installation brackets. Extension brackets require 1-1/4".

INSTALLATION INSTRUCTIONS

3b. Using Spacer Blocks



Center the installation brackets or extension brackets on your marks and mark where to drill the screw holes.

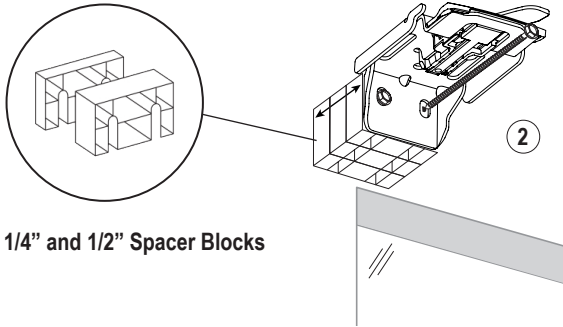
- A minimum 1" flat vertical surface is required for the installation brackets. Extension brackets require 1 1/4".
- The tops of the installation brackets or extension brackets should be at the desired height. The brackets should be level and aligned.

CAUTION: The rear of the brackets must be flush against a flat mounting surface. Do not mount brackets on curved molding. Drill the screw holes using a 3/32" drill bit.

CAUTION: Use drywall anchors when mounting into drywall.

- Attach the installation or extension brackets using the screws provided.

IMPORTANT: The tops of the installation brackets or extension brackets must be level with their front edges aligned.

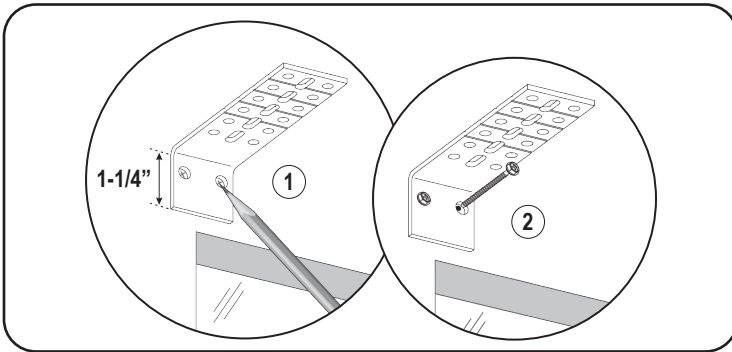


If using spacer blocks, attach the spacer block(s) and installation bracket to a flat vertical mounting surface with #6 screws long enough for a secure installation.

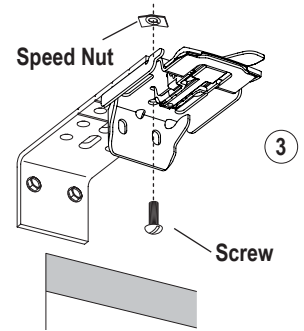
IMPORTANT: Do not add more than 1/2" of clearance using spacer blocks.

IMPORTANT: The tops of the installation brackets must be level with the front edges aligned.

3c. Using Extension Brackets



If using extension brackets, attach an installation bracket to the underside of each extension bracket using the speed nuts and screws provided.



4. Mount the Brackets — End Mount

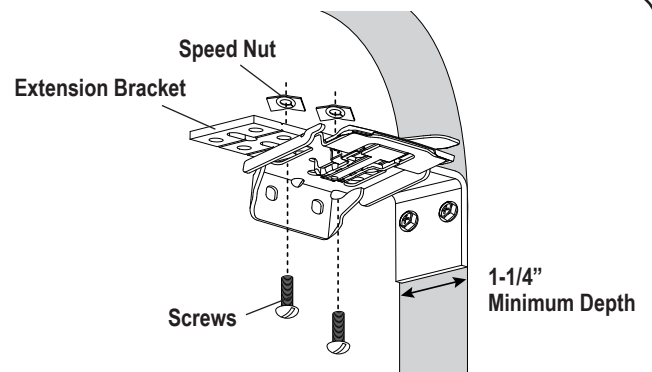
End mount the headrail when conventional mounting techniques will not work — for example in an arched window opening. Mount the extension brackets on a flat vertical surface at least 1 1/4" wide.

- Add 1/4" to the minimum depth if using the optional back cover.
- Attach the installation brackets to the extension brackets using the provided screws and speed nuts.

WARNING: To end mount shadings into a surface other than a secure wall stud, use medium to heavy-duty wall anchors (not provided) matched to the wall thickness.

Failure to mount the brackets securely may result in injury or property damage.

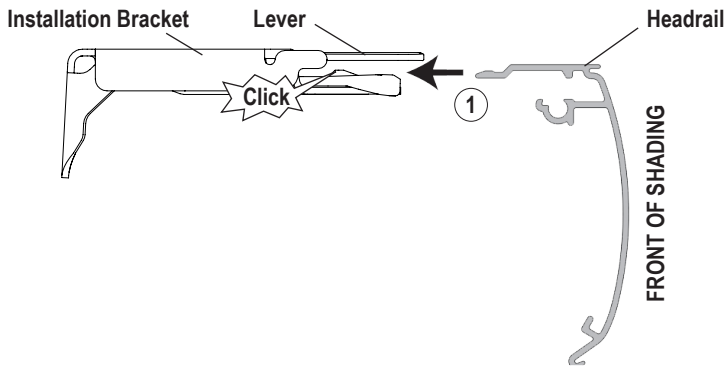
If using the optional back cover: Install the cover into the back cover brackets. If necessary, trim the back cover to the desired width.



Note: Add 1/4" to the minimum depths if using the optional back cover. After installing the brackets, see 2b. Install the Back Cover.

INSTALLATION INSTRUCTIONS

5. Install the Shadings



Peel back the protective covering from the top of the fabric-covered headrail. Leave the rest of the protective covering on the front of the headrail.

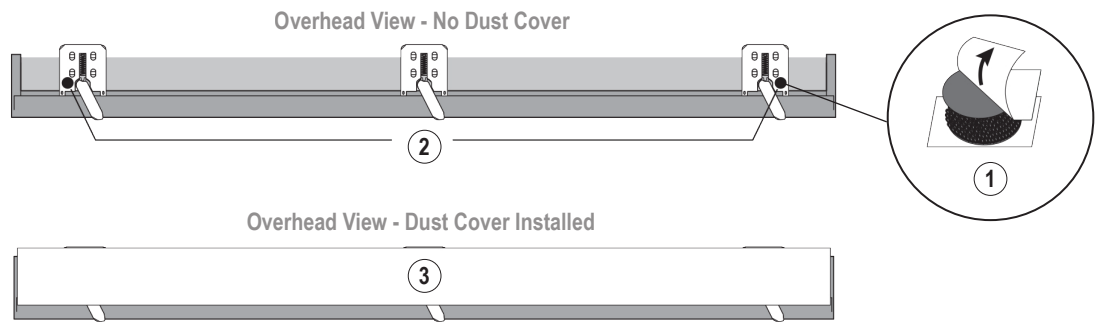
- Position the shading so that the front faces you.
- Slide the headrail into the installation brackets so the edge of the headrail is between the lever and the bracket, as shown.
- Firmly push the headrail into each bracket until it clicks and the lever snaps to the right side of the bracket.

IMPORTANT: Carefully pull on the headrail at each bracket to ensure it is installed securely.

- Completely remove the protective covering from the fabric-covered headrail.

6. Attach the Dust Cover

The dust cover is used to protect the top of the headrail from exposure to dust on outside mounted shadings.



Note: Attaching the dust cover is optional for outside mounts and end mounts. The dust cover is used to protect the top of the headrail from exposure on outside mounted shadings.

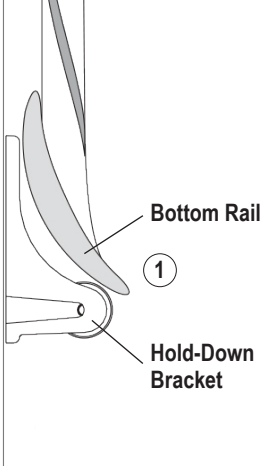
- Cut the dust cover to desired width.
- Remove the paper backing on one side of the hook and loop fastener dots.
- Apply the dots to the installation brackets on each end of the shading.

Remove the remaining paper backing from the dots.

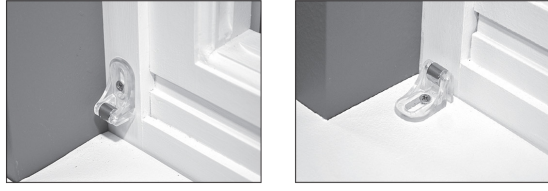
- Center the dust cover over the top of the shading, above the dots.
- Press the dust cover down onto the dots.

INSTALLATION INSTRUCTIONS

7. Attach the Magnetic Hold-Down Bracket (Optional)

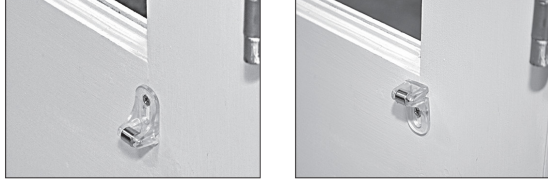


Inside Mount



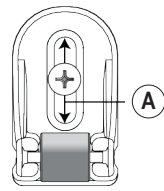
2a. Preferred 2b. Alternative

Outside Mount



2c. Preferred 2d. Alternative

IMPORTANT: Use drywall anchors when mounting into drywall.

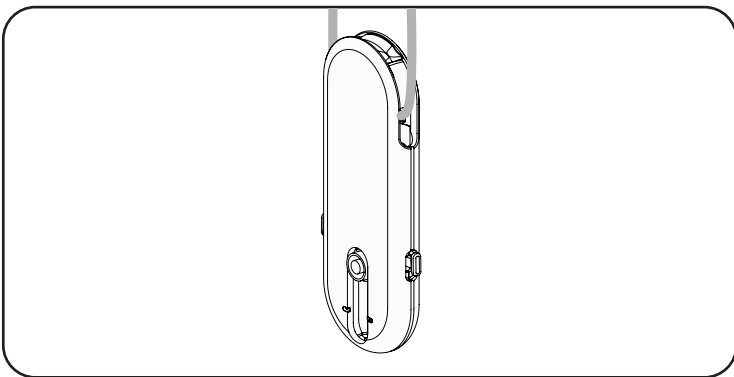


A

First, lower the shading, keeping the vanes closed. **(1)** Place the magnetic hold-down bracket onto the bottom rail just inside the end cap. Hold the bracket while opening and closing the vanes and adjust the bracket to the best overall position. Mark the screw location using the mounting options **(2a, 2b, 2c, 2d)**. Attach the hold-down brackets using the screws provided, the screw should be placed in the middle of the channel to allow for adjustment.

Note: If necessary, **(A)** adjust bracket height by loosening the screw and sliding the bracket up or down.

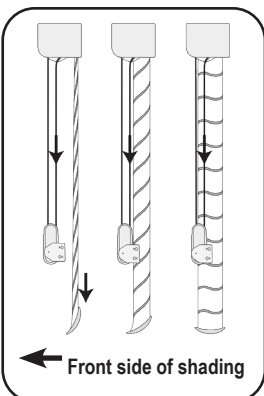
8a. Attaching the Cord Tensioner



NOTE: For the shade to operate properly, the tensioner must be correctly mounted and secured.

[Click this link](#) to refer to the Installation Instructions for the Universal Cord Tensioner

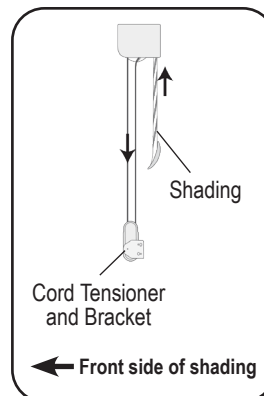
8b. Operate the Continuous Loop Control Shading



Lower the Shading and Open the Vanes

- Pull the rear cord of the cord loop to lower the shading.
- With the shading fully lowered, continue to pull the rear cord to tilt the bottom rail and open the vanes.

Note: The window covering will not operate properly unless the tensioner is secured.



To Close the Vanes and Raise the Shading

- Pull the front cord of the cord loop to raise the shading.

Note: If the shading raises or lowers unevenly, the fabric rubs against one end of the headrail, or the bottom rail is uneven when fully raised, the bottom rail weight needs to be adjusted. See the Troubleshooting section.

IMPORTANT: Please note that shading must be completely lowered for vanes to open. Vanes will remain closed when shading is in any raised position.

INSTALLATION INSTRUCTIONS

9. Operate the Cordless Lift Shadings

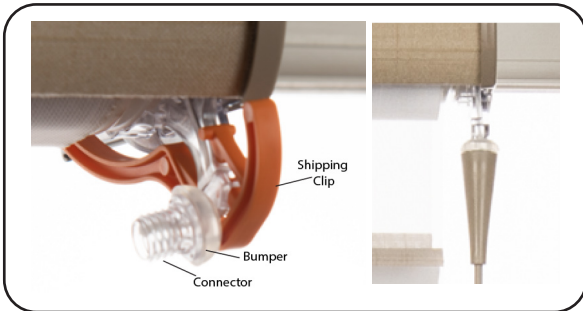


To Lower: Slowly and steadily pull down on the bottom rail handle to lower.

To Open: With your thumb on the front of the handle and fingers on the back, gently pull the back of handle down and away from the shading to open the vanes.
• Use the handle to tilt the vanes to the desired open/closed position.

To Raise: Push down on the front of the handle to close the vanes. Then slowly and steadily push up on the handle to raise.

10a. Attaching the Wand - Retractable Wand Only



NOTE: The wand must be securely attached to the shading for proper operation.

- Remove the orange shipping clip. Grab the edge of the shipping clip and pull straight down.
- Remove the wand from its packaging.
- Gently pull out the bumper and threaded connector until it is visible.
- Holding the bumper to the connector, gently hand tighten the wand onto the connector.

Make sure the bumper is properly aligned and seated tightly on top of the threaded connector.

NOTE: The underside of the bumper matches the shape on the top of the threaded connector.

10b. Operate the Retractable Wand Shadings

To Lower the Shading:

- Pull the wand straight out from the fabric at an angle greater than 25 degrees. The clutch will click and the fabric will proceed with a controlled descent. The shading will lower and the vanes will open.
- To stop the shading in any position, simply pull the wand straight down.

IMPORTANT: Avoid pulling the wand in the non-operable zone. This is the area between the angle for lowering the shading and the straight down position for raising the shading. Refer to the illustration below.

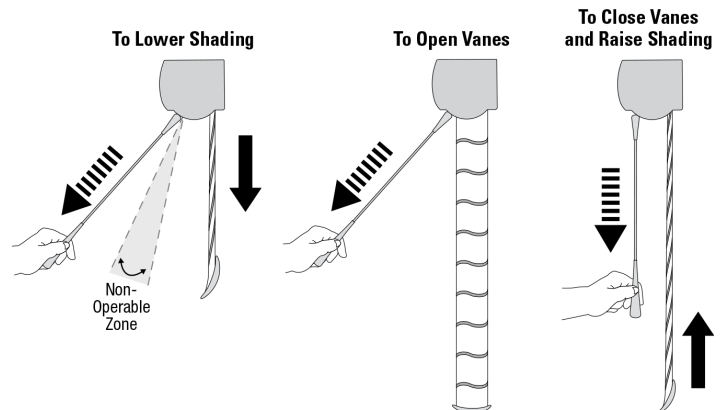
To Open the Vanes:

- After lowering the shading completely, continue to pull on the wand at an angle greater than 25 degrees, until the vanes are fully open.

To Close the Vanes and Raise the Shading:

- Hold the wand close to the fabric and pull straight down.
- Pump the wand down using short strokes to gradually raise the shading.

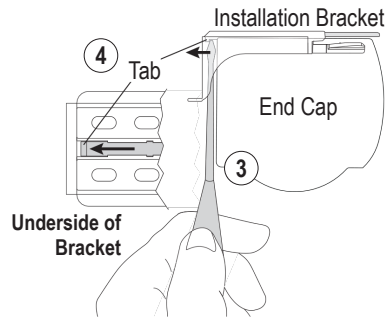
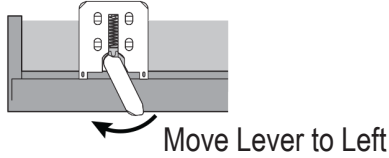
CAUTION: To avoid damage to the shading or personal injury, do not release the wand until it is fully retracted. To avoid breaking the wand, do not use long strokes (over 42") or apply excessive force on the wand while pulling it.



INSTALLATION INSTRUCTIONS

Remove the Shade — Only if Necessary

Top View



(1) Fully raise the shading. (2) Move each lever of the installation brackets to the left to release the shading. A flat blade screwdriver can be used to move the lever.

CAUTION: Be careful not to tear or damage the fabric.

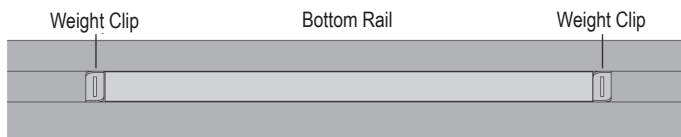
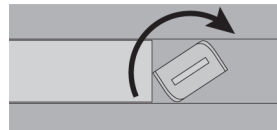
If the is inaccessible or inoperable, lower the shading until you can see the underside of the bracket. (3) Carefully reach a small flat blade screwdriver behind the shading to the tab on bottom of the bracket between the screw holes. Push the tab (4) away from the shading and pull the headrail to release it from the bracket. (5) Carefully pull the shading to remove it from the bracket.

Troubleshooting

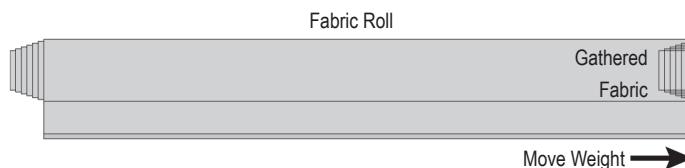
THE SHADING RAISES OR LOWERS UNEVENLY, THE FABRIC RUBS AGAINST ONE END OF THE HEADRAIL, OR THE BOTTOM RAIL IS UNEVEN WHEN FULLY RAISED.

- Check that the window is square by measuring the diagonals.
- Check that the installation brackets are level. Shim to level, if necessary.
- Adjust the bottom rail weight. See below:

- Release the weight clips by inserting a flat blade screwdriver into the weight clip and turning clockwise.



- Move the weight in 1" increments toward the side where the fabric is gathering.



- Secure the weight clips in position by turning them counterclockwise after making the adjustment.
- Test and, if necessary, adjust again.

INSTALLATION INSTRUCTIONS

Troubleshooting (Con't)

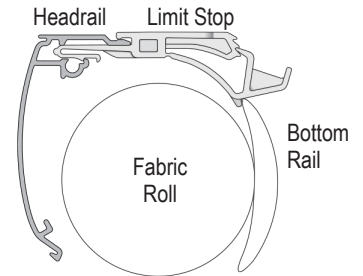
THE SHADING WILL NOT SNAP INTO THE INSTALLATION BRACKETS.

- Check that the installation brackets are aligned and level.
- Check that the locking tab on the installation bracket slides over the headrail.

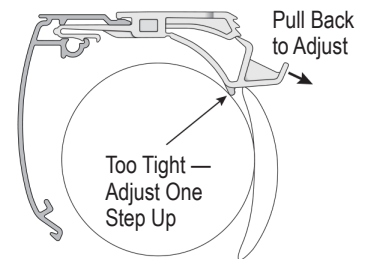
THE BOTTOM RAIL DOES NOT STOP AT THE TOP LIMIT.

Check the adjustment position of both limit stops. The top illustration shows the correct adjustment.

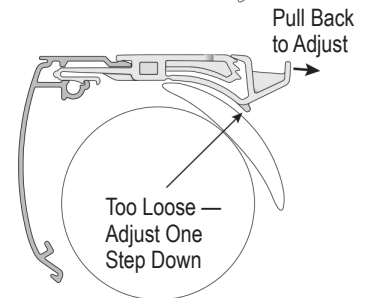
The limit stop catches the bottom rail, and the bottom of the limit stop is slightly above or barely touching the fabric roll.



In the second illustration, the limit stop adjustment is too tight. The fabric may not drop freely and could even be damaged when the shading is raised. To correct this, the limit stop should be adjusted one step up. Simply pull back on the rear of the limit stop to adjust its position.



In the bottom illustration, the adjustment is too loose. The bottom rail can slip under the limit stop. If the bottom rail rotates through the headrail, it must be backed out before adjusting the limit stop.



IMPORTANT: Both limit stops must be adjusted to the same position or else skewing may occur.

THE SHADING IS HARD TO RAISE OR LOWER, OR WILL NOT RAISE OR LOWER.

- Shadings cannot be forced into tight inside mount window openings. If an inside mount, check that the shading is installed correctly. Make sure there is clearance between the ends of the shading and the window casement.
- Check that the installation brackets are level. Shim to level, if necessary.
- Check that the shading fabric is not catching on any brackets or window components.

VANES DO NOT ALIGN ON SIDE-BY-SIDE SHADINGS.

- Vane alignment is only guaranteed within 1/4" when shadings are ordered at the same time, at the same height, with the same color and fabric, and when specified on the order form.
- Check that the windows are square and the same height.

AUTOMATED SHADES — MOTOR IS NOT RESPONDING.

1. Battery in motor is depleted.

- Recharge with compatible AC adapter.

2. Remote battery is discharged.

- Replace battery.

3. Battery is inserted incorrectly into remote.

- Check battery polarity.

4. Radio interference/shielding.

- Ensure remote is positioned away from metal objects and the aerial wire on motor or receiver is kept straight and away from metal.

5. Receiver distance is too far from remote.

- Move remote to a closer position.

6. Power failure.

- Check power supply to motor is connected and active.

7. Incorrect Wiring.

- Check the wiring is connected correctly (refer to motor programming instructions).

INSTALLATION INSTRUCTIONS

Care and Cleaning

Sheer Shades are made of the highest quality materials for extended wear. If it is not damaged or exposed to a great deal of direct sunlight, it is not unrealistic to expect years of enjoyment with minimal care. Raising and lowering shades periodically helps reduce most natural dust accumulation.

Dusting: Regular light dusting with a feather duster is all the cleaning that is needed in most circumstances.

Vacuuming: Use the soft brush head of the vacuum cleaner on low setting for a more thorough dust removal.

Spot Cleaning:

- Prepare a solution of lukewarm water and mild detergent if needed.
- Dampen a clean cloth or towel in the solution and wring thoroughly.
- Dab the spot with the dampened cloth until spot is removed. Do not rub or soak the fabric.
- Do not spot-clean anything other than the fabric covered headrail on sheer shadings.
- Allow the shade to dry in completely lowered position.
- ***Spot-cleaning may result in cleaner areas than the rest of the shading.***

Sheer shadings are made of 100% polyester, which means they are inherently durable and resilient. However, care must be taken to avoid wrinkling the fabric, particularly where the vanes meet the facings.

Fabric Covered Headrail

- Spot-clean the headrail using a sponge or delicate cloth, cool distilled water and a mild soap solution; handle with care as you would any fine fabric.

Forced Air

- Blow away dirt and debris between the vanes using clean compressed air.

Ultrasonic Cleaning and Light Dimming fabrics

- Sheer shadings can be ultrasonically cleaned by a professional, with the exception of the of the Light Dimming fabrics.
- Specify that a mild detergent solution be used.
- Never immerse the headrail in the solution.
- Dry the shading completely in the lowered position.

Injection/Extraction

- Sheer shadings can be professionally cleaned using the injection/extraction method.
- Use only the dry method of injection/extraction on Light Dimming fabrics.
- Never immerse the headrail in the solution.

Electrostatic Cleaning

- **DO NOT** use electrostatic cleaning wipes on any sheer shadings.

A NOTE ABOUT FABRICS

As with all textiles, Sheer Shading fabrics are subject to some variations. Slight wrinkling, puckering, or bowing is inherent to this textile product and should be considered normal, acceptable quality. These characteristics are not usually visible from the front or rear but may be visible from a side angle. Precautions should be taken to reduce exposure to harsh environmental elements, such as salt air. Continuous exposure through open windows and doors will accelerate the fabric deterioration.

Child Safety

⚠ WARNING ⚠ ADVERTENCIA		
Window Blind Cord Strangulation Risk		
Window Blinds with a damaged or loose tension device or retractable cord that fails to fully retract pose a strangulation risk to children. To avoid this potential strangulation risk, consider purchasing cordless products or products with inaccessible cords.		
Riesgo de Estrangulamiento en Cuerdas de Persianas		
Las persianas con un dispositivo tensor suelto o dañado o con una cuerda retractable que no se ajusta completamente representan un riesgo de estrangulación para los niños. Para evitar un posible riesgo de estrangulamiento, considere comprar productos inalámbricos o productos con cuerdas inaccessibles.		



1022139